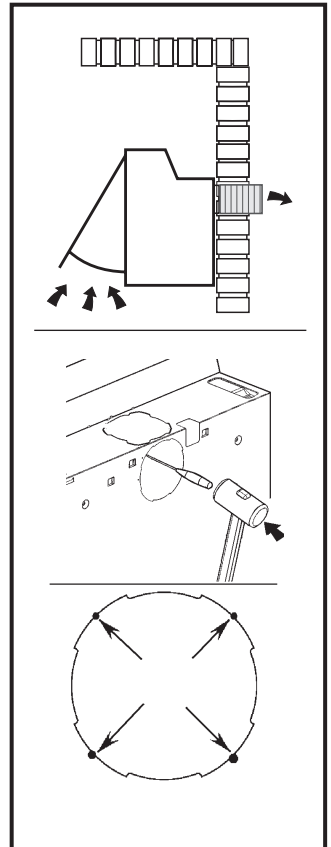
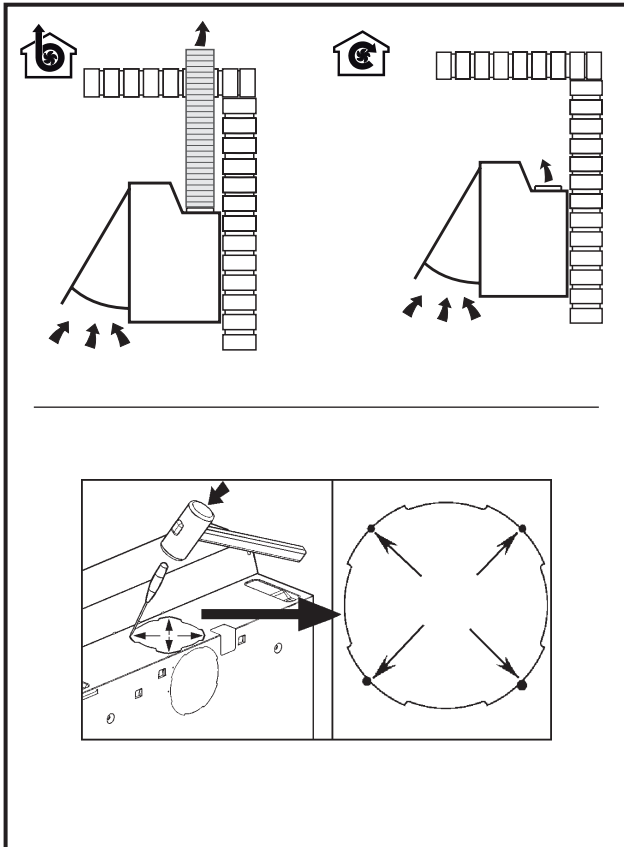
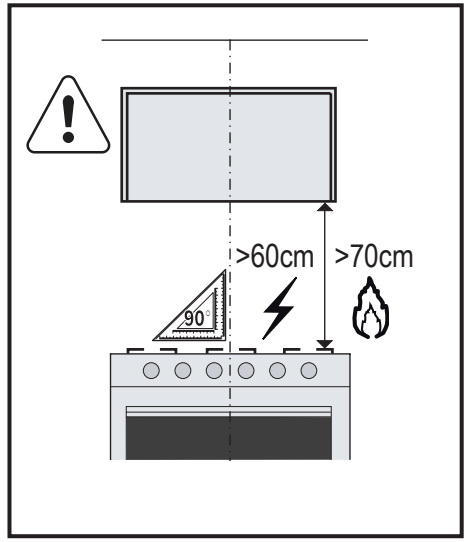
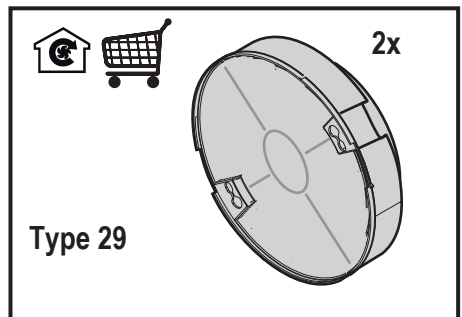
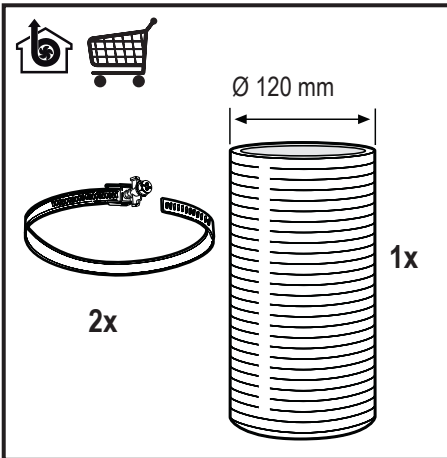
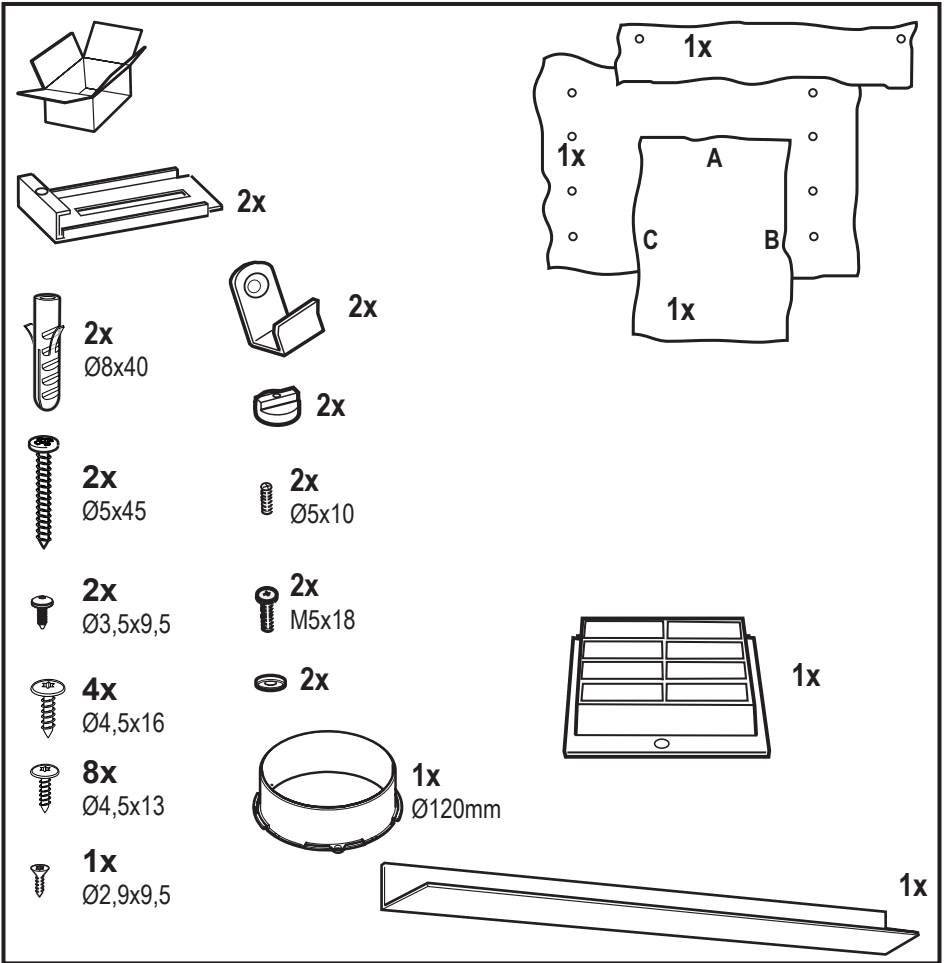
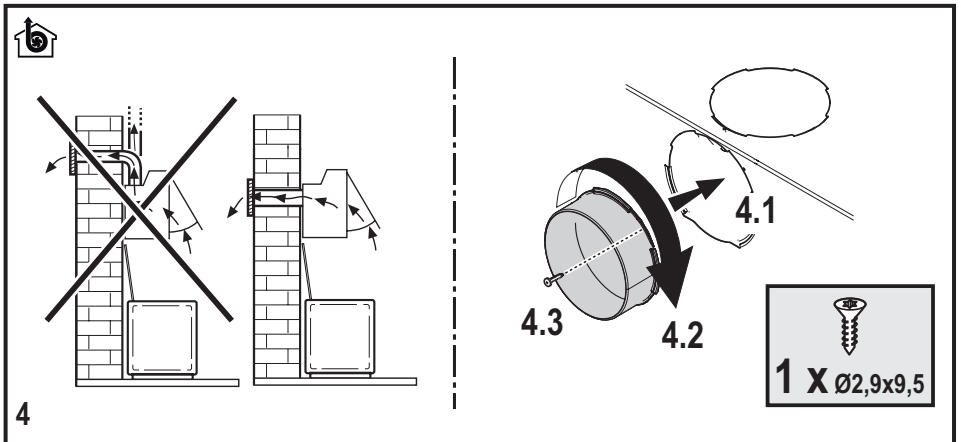
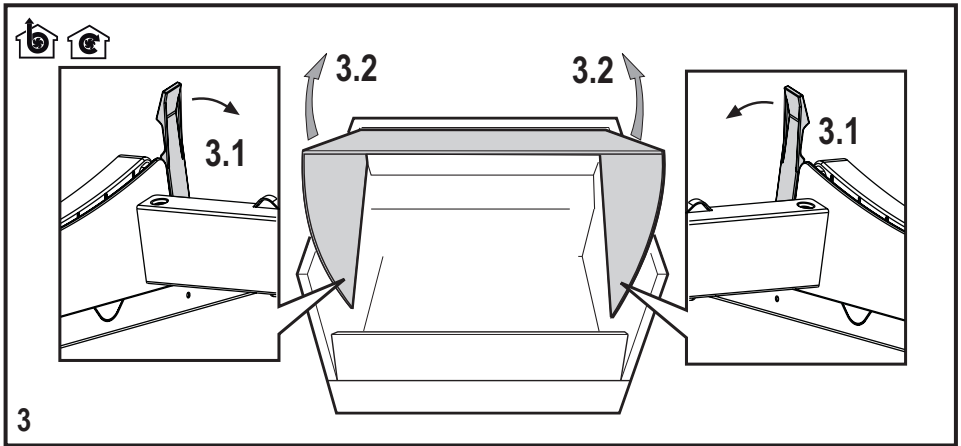
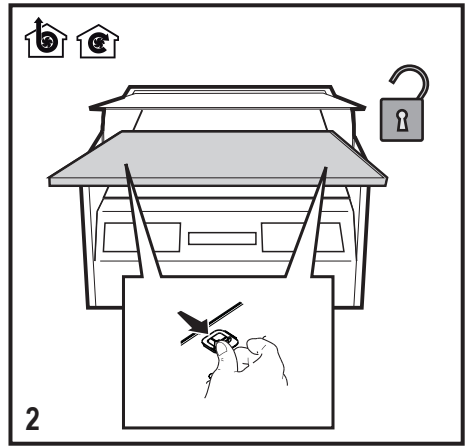
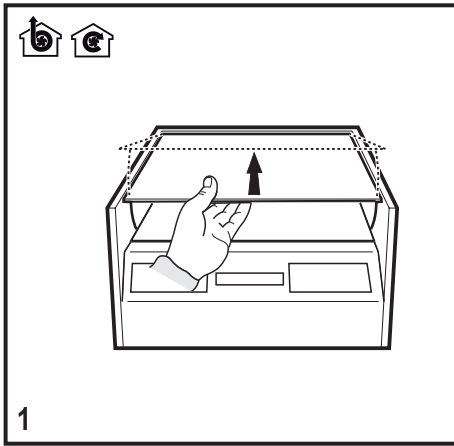


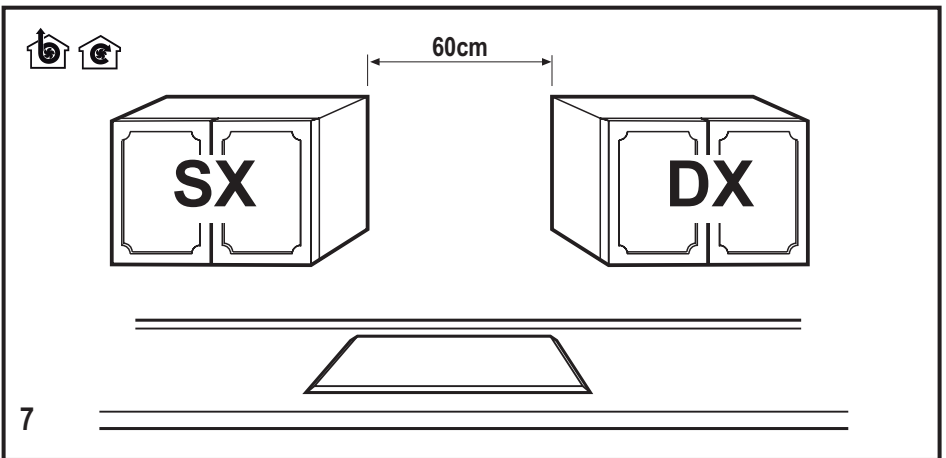
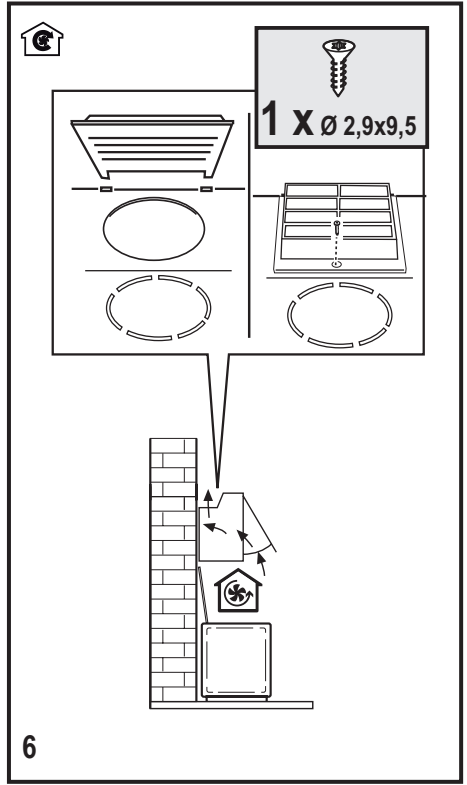
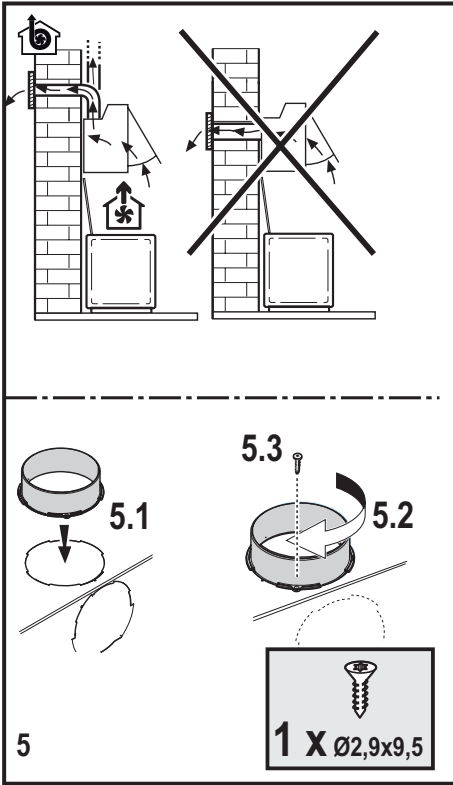
User manual

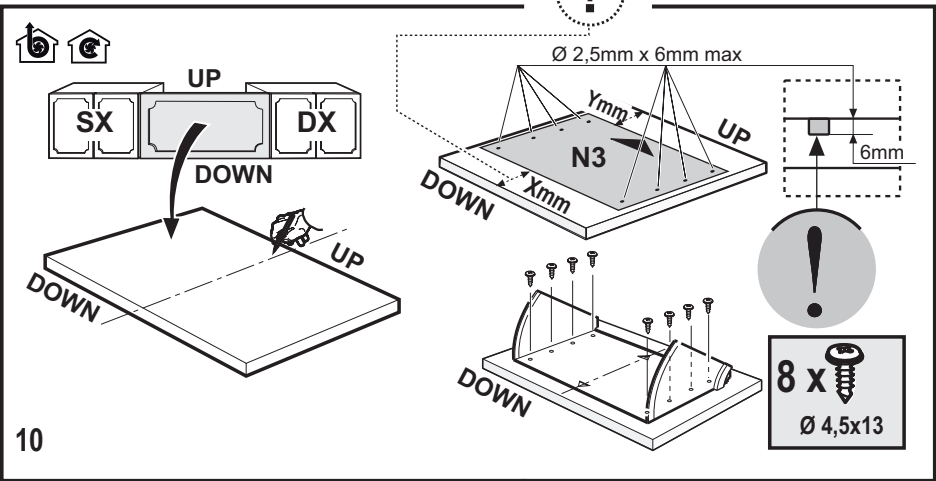
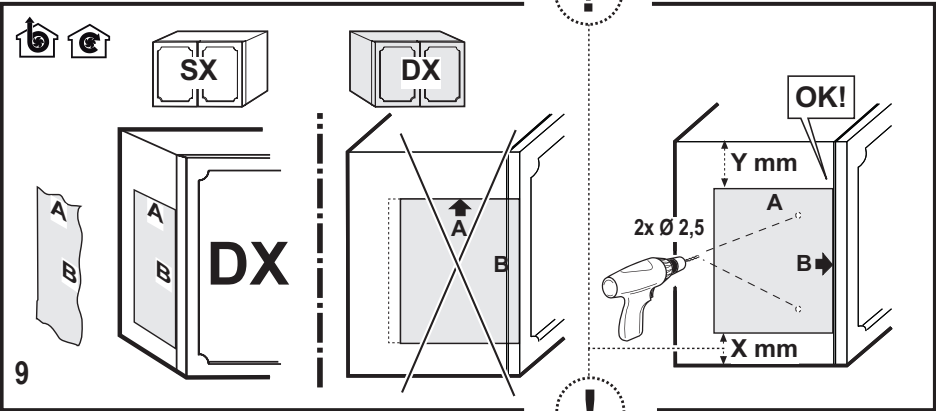
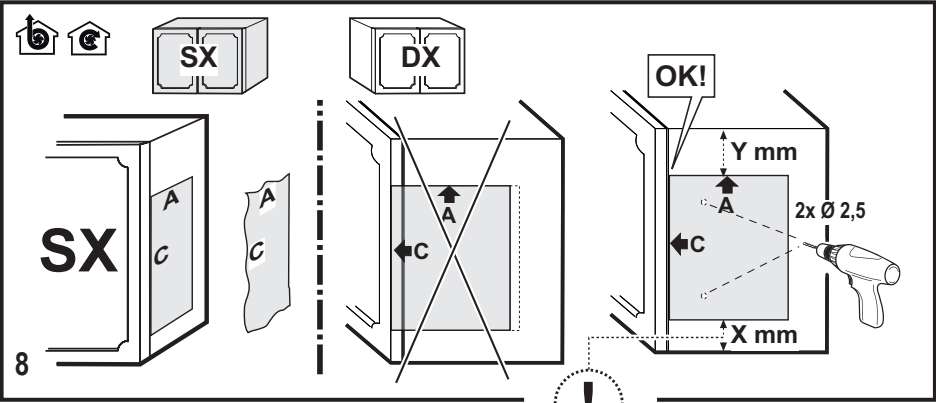
Cooker hood

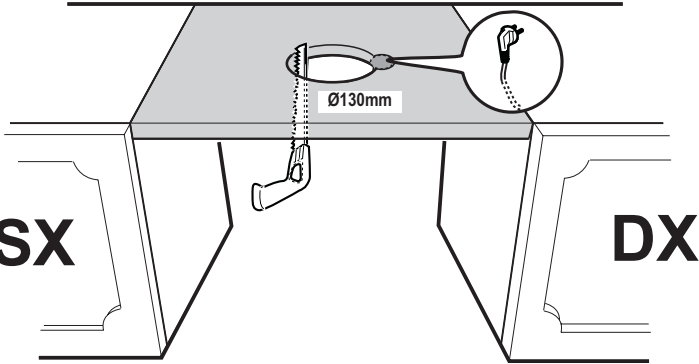








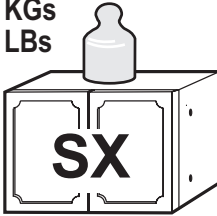




11

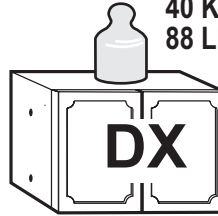


40 KGs
88 LBs

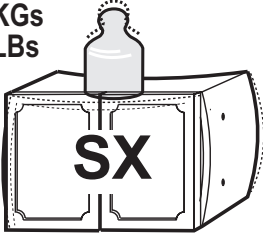


OK!

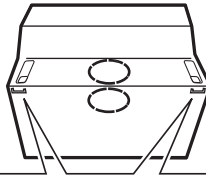
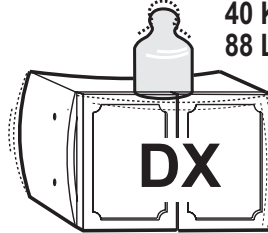
40 KGs
88 LBs



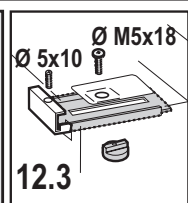
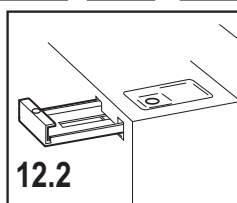
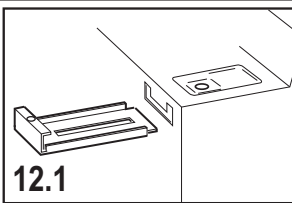
40 KGs
88 LBs



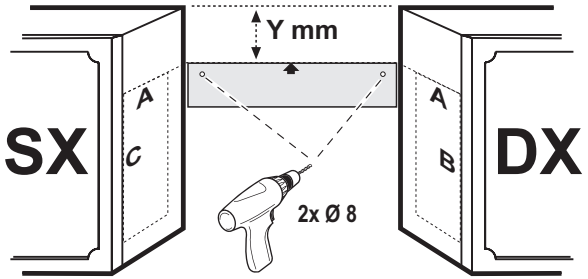
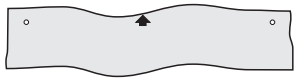
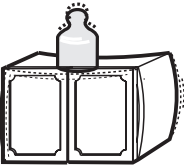
40 KGs
88 LBs



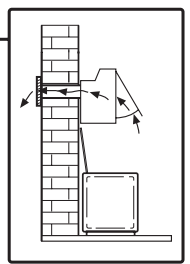
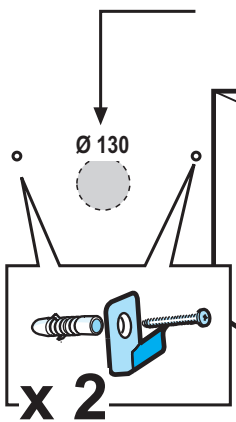
Ø 5x10



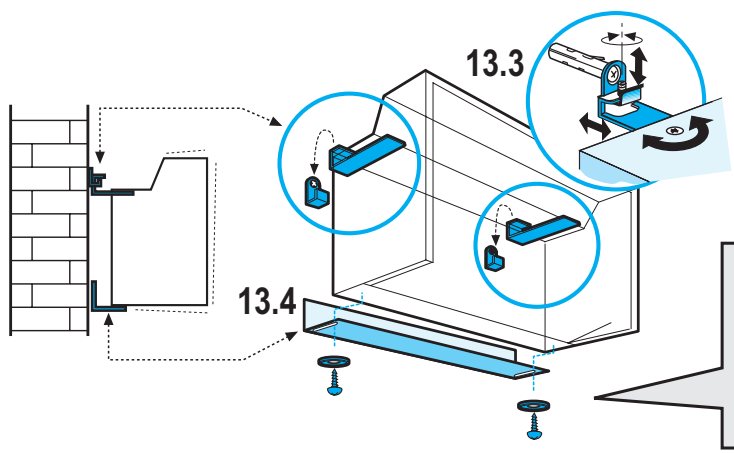
12



13.1



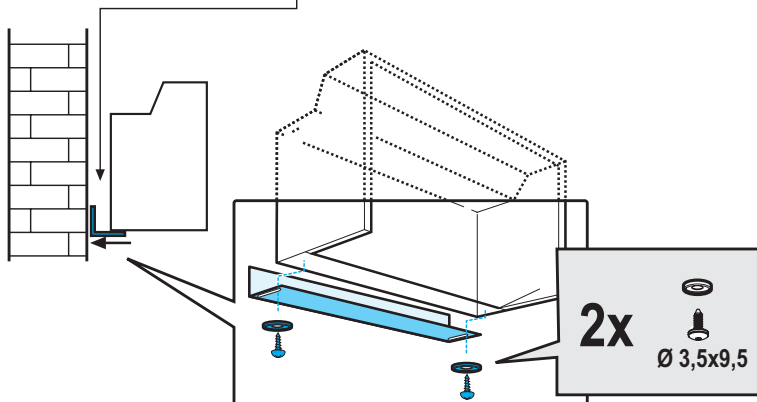
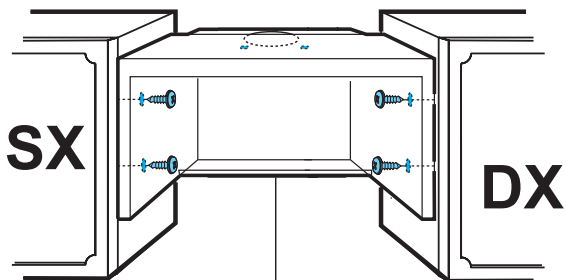
13.2



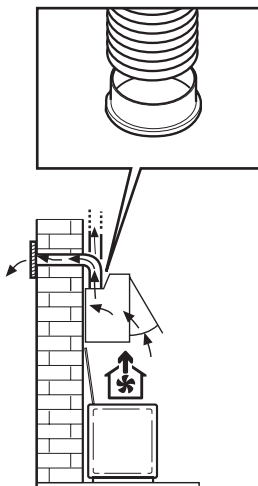
13



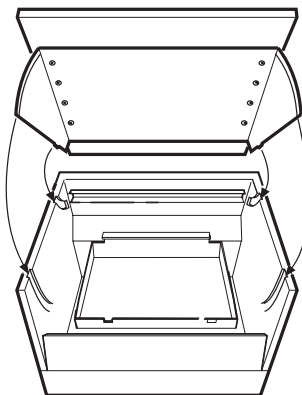
4 x 
Ø 4,5x16



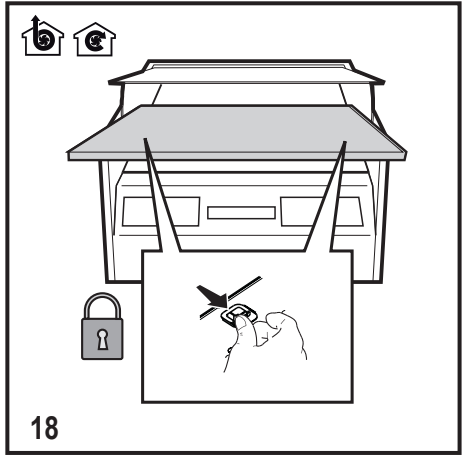
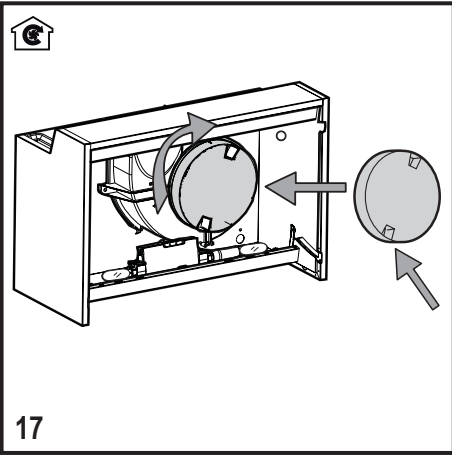
14




15




16



Safety instructions

 **Caution!** Closely follow the instructions set out in this manual. All responsibility, for any eventual inconveniences, damages or fires caused by not complying with the instructions in this manual, is declined. The extractor hood has been designed exclusively for domestic use.

 **Warning!** Do not connect the appliance to the mains until the installation is fully complete. Before any cleaning or maintenance operation, disconnect hood from the mains by removing the plug or disconnecting the mains electrical supply. Always wear work gloves for all installation and maintenance operations.

The appliance is not intended for use by children or persons with impaired physical, sensorial or mental faculties, or if lacking in experience or knowledge, unless they are under supervision or have been trained in the use of the appliance by a person responsible for their safety.

This appliance is designed to be operated by adults, children should be monitored to ensure that they do not play with the appliance. This appliance is designed to be operated by adults. Children should not be allowed to tamper with the controls or play with the appliance. Never use the hood without effectively mounted grating!

The hood must NEVER be used as a support surface unless specifically indicated.


The premises where the appliance is installed must be sufficiently ventilated, when the kitchen hood is used together with other gas combustion devices or other fuels.

The ducting system for this appliance must not be connected to any existing ventilation system which is being used for any other purpose such as discharging exhaust fumes from appliances burning gas or other fuels.

The flaming of foods beneath the hood itself is severely prohibited.

The use of exposed flames is detrimental to the filters and may cause a fire risk, and must therefore be avoided in all circumstances.

Any frying must be done with care in order to make sure that the oil does not overheat and ignite.


 **Caution!** Accessible parts of the hood may become hot when used with cooking appliance. With regards to the technical and safety measures to be adopted for fume discharging it is important to closely follow the regulations provided by the local authorities. The hood must be regularly cleaned on both the inside and outside (AT LEAST ONCE A MONTH). This must be completed in accordance with

the maintenance instructions provided in this manual). Failure to follow the instructions provided in this user guide regarding the cleaning of the hood and filters will lead to the risk of fires.

Do not use or leave the hood without the lamp correctly mounted due to the possible risk of electric shocks.


We will not accept any responsibility for any faults, damage or fires caused to the appliance as a result of the non-observance of the instructions included in this manual.

Environment concerns

Recycle the materials with the symbol .

Put the packaging in applicable containers to recycle it.

Help protect the environment and human health and to recycle waste of electrical and electronic appliances.

Do not dispose appliances marked with the symbol  with the household waste. Return the product to your local recycling facility or contact your municipal office department for household waste or the shop where you purchased this product.

Standard Guarantee Conditions and Exclusions.

All our products come with 12 month warranty. To see our guarantee conditions and exclusions please visit our Customer Care Department www.benchmarkjoinery.co.uk.

Service and Spare Parts.

Service is provided by Electrolux Major Appliances as authorised service partner network.

Please contact your local Service Centre on; 08445 616616 (Your call will automatically be routed to your local centre). Please ensure you read all information under 'Troubleshooting' in your instruction booklet before contacting us for service. Servicing and/or installation of your product should be carried out by a suitably qualified engineer. In the user manual you will find some useful information on how to deal with minor faults and how to take care of your product.

When contacting us for Service please ensure that you have proof of purchase and the following information available:

Model No

Serial No

Product No

Date of Purchase.....

Customer Care:

Please contact Electrolux Major Appliances,
Addington Way, Luton, Bedfordshire, LU4 9QQ

Contact No: 08445 613613

Use

The hood is designed to be used either for exhausting



or filter version



Installation

The mains power supply must correspond to the rating indicated on the plate situated inside the hood. If provided with a plug connect the hood to a socket in compliance with current regulations and positioned in an accessible area, after installation. If it not fitted with a plug (direct mains connection) or if the plug is not located in an accessible area, after installation, apply a double pole switch in accordance with standards which assures the complete disconnection of the mains under conditions relating to over-current category III, in accordance with installation instructions.



Warning! Before re-connecting the hood circuit to the mains supply and checking the efficient function, always check that the mains cable is correctly assembled.

The minimum distance between the supporting surface for the cooking equipment on the hob and the lowest part of the range hood must be not less than 60cm from electric cookers and 70cm from gas or mixed cookers. If the instructions for installation for the gas hob specify a greater distance, this must be adhered to.

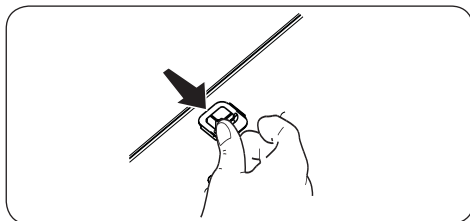
Maintenance

⚠ ATTENTION! Before performing any maintenance operation, isolate the hood from the electrical supply by switching off at the connector and removing the connector fuse. Or if the appliance has been connected through a plug and socket, then the plug must be removed from the socket.

The cooker hood should be cleaned regularly (at least with the same frequency with which you carry out maintenance of the fat filters) internally and externally. Clean using the cloth dampened with neutral liquid detergent. Do not use abrasive products. **DO NOT USE ALCOHOL!**

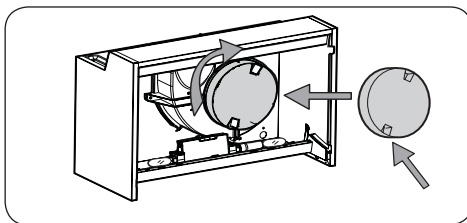
⚠ Warning! Failure to carry out the basic cleaning recommendations of the cooker hood and replacement of the filters may cause fire risks. Therefore, we recommend observing these instructions. The manufacturer declines all responsibility for any damage to the motor or any fire damage linked to inappropriate maintenance or failure to observe the above safety recommendations.

Grease filter - Paper filter must be replaced once a month or if colouring appears on upper side, in such cases the colouring is evident through the grill openings.



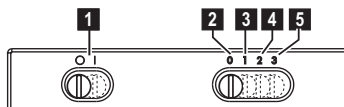
NON-washable activated charcoal filter

The saturation of the **charcoal filter** occurs after more or less prolonged use, depending on the type of cooking and the regularity of cleaning of the grease filter. In any case it is necessary to replace the cartridge at least every four months. The charcoal filter may NOT be washed or regenerated.



Controls

The hood is fitted with a control panel with aspiration speed selection control and a light switch to control cooking area lights.



- 1** - ON/OFF lights
- 2** - OFF motors
- 3** - Minimum suction power
- 4** - Medium suction power
- 5** - Maximum suction power

Use the high suction speed in cases of concentrated kitchen vapours. It is recommended that the cooker hood suction is switched on for 5 minutes prior to cooking and to leave in operation during cooking and for another 15 minutes approximately after terminating cooking.

Lighting

Disconnect the hood from the electricity.

⚠ Warning! Prior to touching the light bulbs ensure they are cooled down.

Replace the damaged lamp.

Use Ø35mm E14 28W halogen candle lamps only.

